

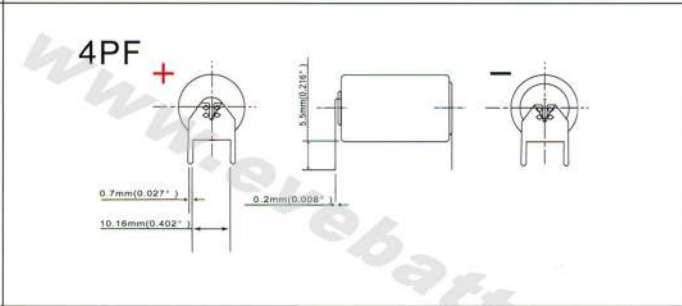
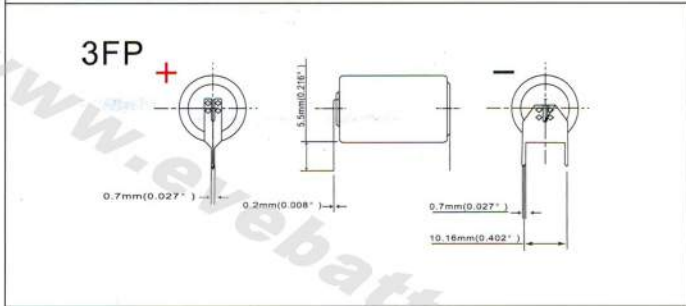
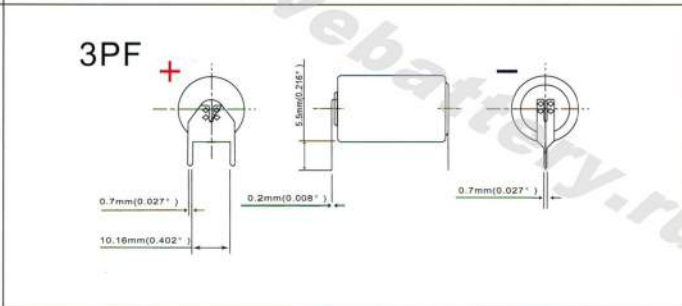
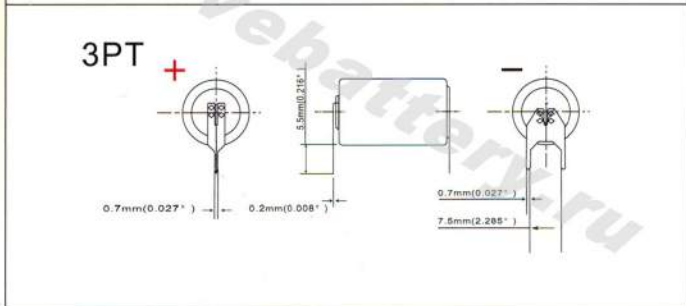
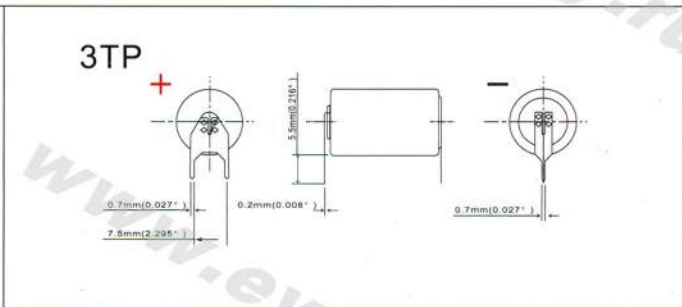
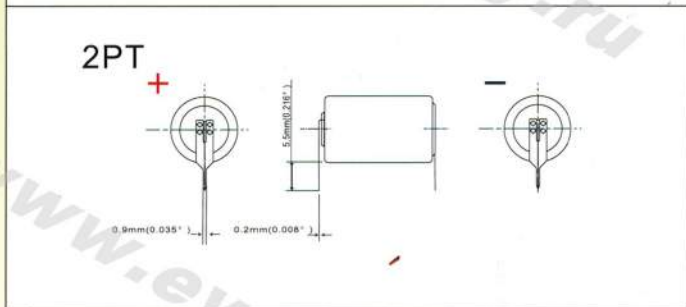
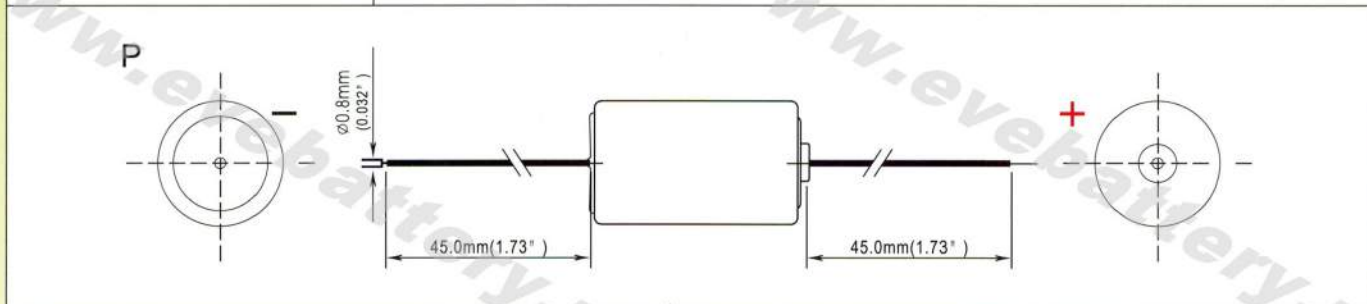
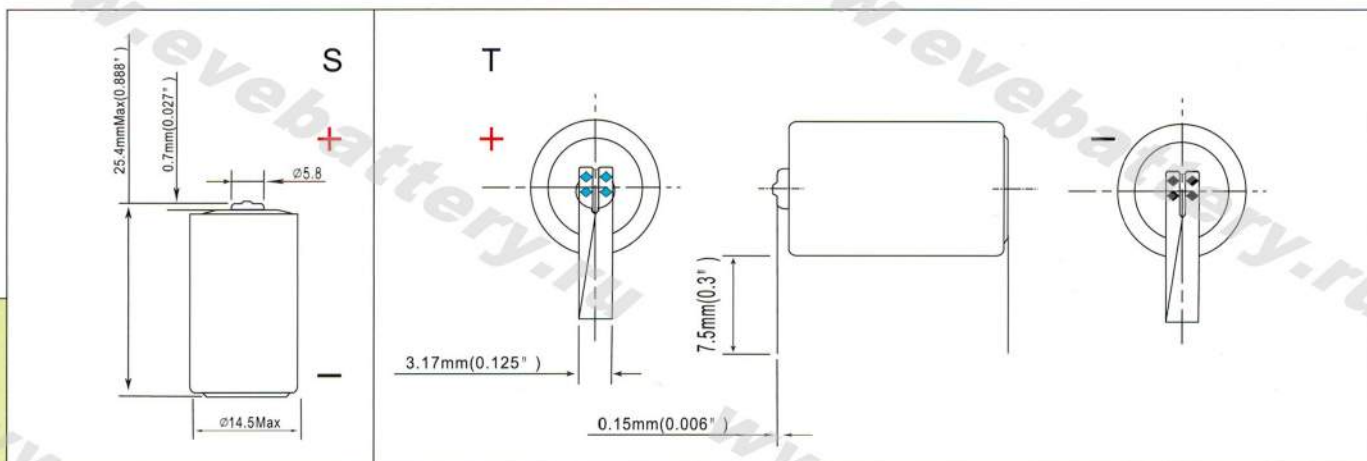


Lithium Thionyl Chloride Battery

Li-SOCl₂

Model	Cell Size Ref	Nominal Voltage(V)	Nominal Capacity(mAh)	Maximum Continuous Current(mA)	Maximum Pulse Current(mA)	Operating Temperature(°C)	Maximum Dimensions (mm)	Weight (g)
CYLINDRICAL CELLS(BOBBIN TYPE)								
ER13170		3.6	550	10	20	-60°C~+85°C	13.5 X 17.8	6
ER14250	1/2AA	3.6	1200	15	50	-60°C~+85°C	14.5 X 25.4	10
ER14335	2/3AA	3.6	1650	35	75	-60°C~+85°C	14.5 X 33.5	12
ER14505	AA	3.6	2700	50	150	-60°C~+85°C	14.5 X 50.5	19
ER17335	2/3A	3.6	2100	60	100	-60°C~+85°C	17.5 X 33.5	17
ER17505	A	3.6	3600	130	180	-60°C~+85°C	17.5 X 50.5	26
ER18505	A	3.6	4000	130	180	-60°C~+85°C	18.7 X 50.5	28
ER26500	C	3.6	8500	150	300	-60°C~+85°C	26.2 X 50.0	52
ER34615	D	3.6	19000	230	400	-60°C~+85°C	33.1 X 61.5	100
ER341245	DD	3.6	35000	420	500	-60°C~+85°C	33.1 X 124.5	195
CYLINDRICAL CELLS(BOBBIN PULSE TYPE)								
ER14250V	1/2AA	3.6	1200	40	100	-60°C~+85°C	14.5 X 25.4	10
ER14505V	AA	3.6	2600	100	200	-60°C~+85°C	14.5 X 50.5	19
CYLINDRICAL CELLS(BOBBIN TYPE, SAFE-PLUS SERIES)								
ER14250H	1/2AA	3.6	1200	35	50	-60°C~+85°C	14.5 X 25.4	10
CYLINDRICAL CELLS (SPIRAL TYPE, SAFE-PLUS SERIES)								
ER14250M	1/2AA	3.6	750	100	250	-60°C~+85°C	14.5 X 25.4	10
ER14335M	2/3AA	3.6	1300	200	500	-60°C~+85°C	14.5 X 33.5	15
ER14505M	AA	3.6	2000	400	1000	-60°C~+85°C	14.5 X 50.7	21
ER17505M	A	3.6	2800	1000	2000	-60°C~+85°C	17.5 X 50.5	29
ER18505M	A	3.6	3500	1000	2000	-60°C~+85°C	18.7 X 50.5	33
ER26500M	C	3.6	6000	1000	2000	-60°C~+85°C	26.2 X 50.0	55
ER34615M	D	3.6	13000	2000	4000	-60°C~+85°C	33.1 X 61.5	110
WAFER CELLS								
ER22G68	BEL	3.6	400	5	20	-60°C~+85°C	22.6 X 8.0	6
ER32L65	1/10D	3.6	1000	10	50	-60°C~+85°C	32.9 X 7.1	19
ER32L100	1/6D	3.6	1700	10	50	-60°C~+85°C	32.9 X 10.5	24
HIGH-TEMPERATURE SERIES								
ER14250MR-180	1/2AA	3.6	600	15		-40°C~+180°C	14.7 X 25.4	10
ER21102MR-180	Slim CC	3.6	7500	30		-40°C~+180°C	21.0 X 103.0	78
ER26102S-180	CC	3.6	11000	170		-40°C~+180°C	25.4 X 103.0	103
ER321250MR-180	DD	3.6	24000	320		-40°C~+180°C	32.5 X 127.5	189
ER331270MR-180	DD	3.6	24000	320		-40°C~+180°C	32.8 X 127.5	189
ER14250MR-150	1/2AA	3.6	800	20		-40°C~+150°C	14.7 X 25.4	10
ER21102MR-150	Slim CC	3.6	10000	200		-40°C~+150°C	21.0 X 103.0	78
ER26102S-150	CC	3.6	16000	330		-40°C~+150°C	25.4 X 103.0	103
ER321250MR-150	DD	3.6	28000	425		-40°C~+150°C	32.5 X 127.5	189
ER331270HR-150	DD	3.6	28000	500		-40°C~+150°C	32.8 X 127.5	189
PRISMATIC CELLS								
EF651615	LTC-3PN	3.6	400	5	20	-60°C~+85°C	16.8 X 15.8 X 6.8	5
EF651620	LTC-5PN	3.6	550	10	20	-60°C~+85°C	16.8 X 20.1 X 6.8	6
EF651625	LTC-7PN	3.6	800	7	10	-60°C~+85°C	16.8 X 25.8 X 6.8	8
EF702338	LTC-16M	3.6	1600	20	50	-60°C~+85°C	23.3 X 38.3 X 7.2	19
PROFESSIONAL TPMS CELLS(COIN TYPE)								
ER14100		3.6	280	5	15	-60°C~+125°C	14.5 X 11.0	4.5
ER1860		3.6	280	5	15	-60°C~+125°C	18.2 X 6.5	5.5
ER2450T		3.6	500	5	20	-60°C~+125°C	24.5 X 6.2	9
PROFESSIONAL TPMS CELLS(PRISMATIC TYPE)								
EF651615T	LTC-3PN	3.6	400	10	20	-60°C~+125°C	16.8 X 15.8 X 6.8	5
EF651625T	LTC-7PN	3.6	750	10	30	-60°C~+125°C	16.8 X 25.8 X 6.8	8

*Latest version can be downloaded from EVE website at www.evebattery.com



EVE ENERGY CO., LTD.

Address: NO.36, Huifeng 7 Road,
Zhongkai High Technology Development Zone,
Huizhou, Guangdong, China
Tel: +86-752-2606966
Fax: +86-752-2606033
E-mail: sales@evebattery.com
Web: www.evebattery.com

January 2013

