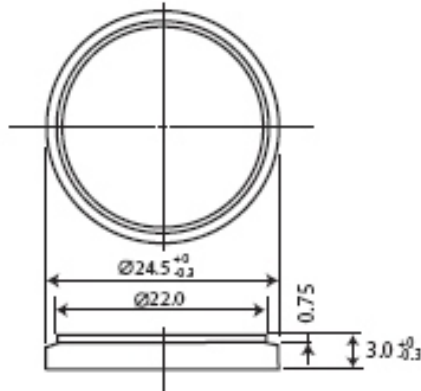




CR2430

Lithium Manganese Dioxide
(Li-MnO₂) Coin Batteries

Dimensions(mm):

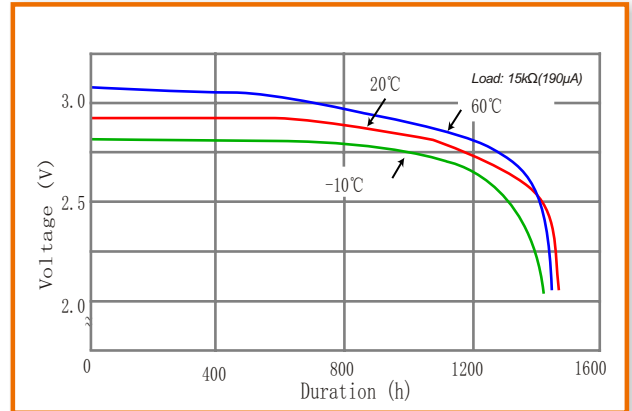


Nominal capacity (15KΩ, 2.0V off)	280mAh
Nominal voltage	3.0V
Max. constant current	6mA
Max. pulse current	25mA
Operating temperature	-20~+70°C
Weight	4.5g

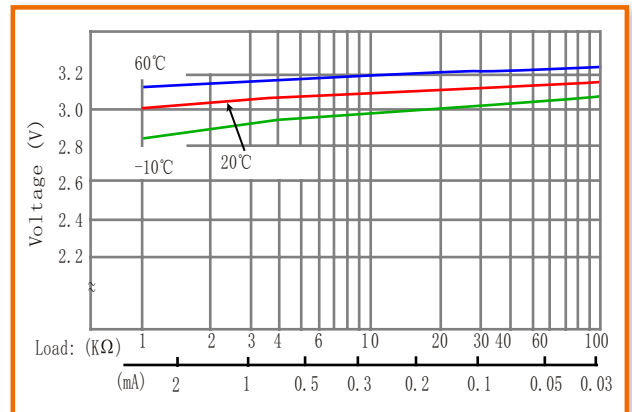
WARNING

- Do not short-circuit between "+" and "-" terminals.
- Do not charge, damage the battery or throw it into fire.
- Do not solder directly on the battery. Please use wire or nickel sheet by spot welding.
- Take out the battery when discharged to cut-off voltage, and dispose of according to the national and local laws.

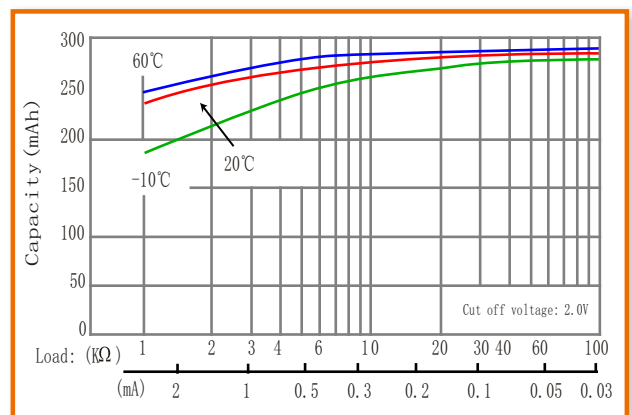
1. TEMPERATURE CHARACTERISTICS



2. OPERATING VOLTAGE VS. LOAD RESISTANCE



3. CAPACITY VS. LOAD RESISTANCE



EVE ENERGY CO., LTD.

Address.: EVE Industrial Park, XiKeng Industrial zone, Huihuan Town, Huizhou, Guangdong, China

Operator: (86-752)260 6966

Direct: (86-752)260 5822

Fax: (86-752)260 6033

P.C. 516006

<http://www.evebattery.com>

Email: sales@evebattery.com

Latest version can be downloaded from the EVE website