



International size reference: 1/6D

## ELECTRICAL CHARACTERISTICS

(typical values for cells stored for one year or less, at 25°C)

Nominal capacity	1.7Ah
<i>(At 1.0 mA, +25°C, 2.0V cut off. The capacity restored by the cell varies according to current drain, temperature and cut off voltage.)</i>	
Nominal voltage	3.6V
Maximum recommended continuous current	10mA
<i>(To get 50% of the nominal capacity at +25°C with 2.0V cut off. Higher currents possible, consult EVE.)</i>	
Maximum pulse current capability	50mA
Rated 1 sec. pulse capability (to 3V)	20mA
<b>Pulse capability</b> varies according to pulse characteristics (frequency and duration), temperature, cell history (storage conditions prior to usage) and the application's acceptable minimum voltage.	
Storage (recommended)	+30°C max
<i>(for more severe condition consult EVE)</i>	
Operating temperature range	-60°C / +85°C
<i>(Operation at temperature different from ambient may lead to reduced capacity and lower voltage plateau readings.)</i>	
Typical weight	24g

## ER32L100

Lithium-thionyl Chloride  
(Li-SOCl<sub>2</sub>) Battery

### KEY FEATURES

- ✓ High and stable operating voltage
- ✓ High minimum voltage during pulsing
- ✓ Low self discharge rate (less than 1% after 1 year of storage at +25°C)
- ✓ Stainless steel container
- ✓ Hermetic glass-to-metal sealing
- ✓ Non-flammable electrolyte
- ✓ **Non-restricted for transport**
- ✓ Compliant with IEC 60086-4 safety standard and EN 60079-11 intrinsic safety standard
- UL Underwriters Laboratories (UL) Component Recognition (File Number MH28717)

### MAIN APPLICATIONS

- ✓ Utility metering
- ✓ Alarms and security devices
- ✓ Memory back-up
- ✓ Tracking systems
- ✓ Automotive electronics
- ✓ Professional electronics ... etc.

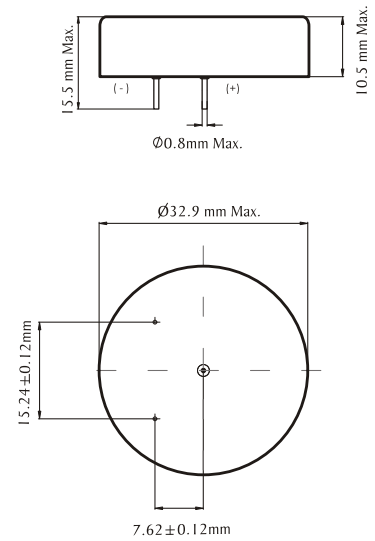
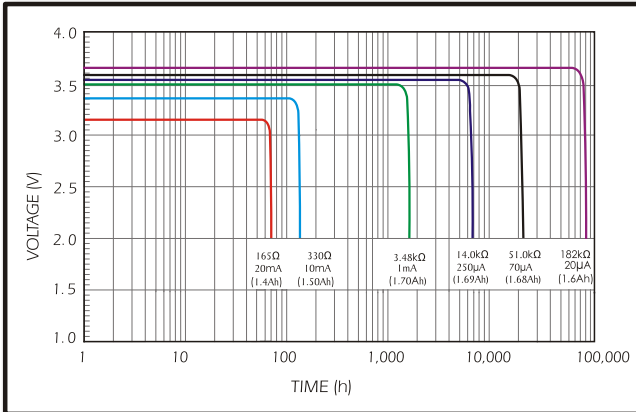
### WARNING:

*Fire, explosion and severe burn hazard. Do not recharge, crush, disassemble, heat above 100°C, incinerate, or expose contents to water.*

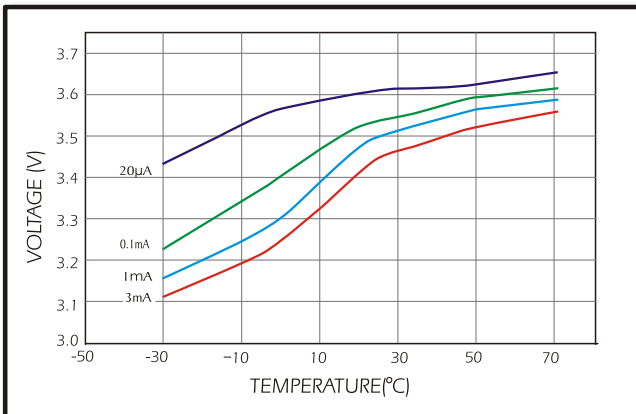
Note: Any representations in this data sheet concerning performance are for informational purpose only and are not construed as warranties, either expressed or implied, of future performance.

# ER32L100

## 1. DISCHARGE CHARACTERISTICS@+25°C



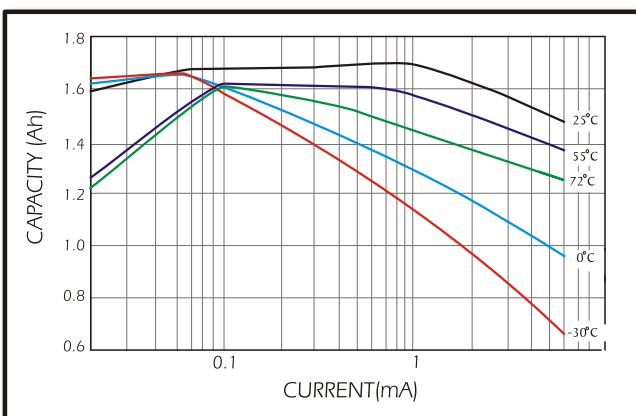
## 2. VOLTAGE VS. TEMPERATURE



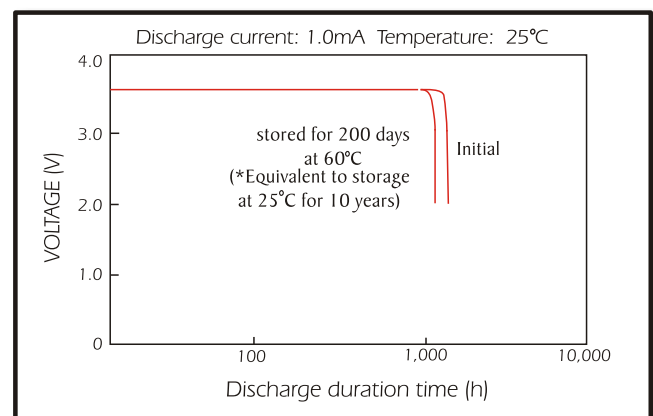
### AVAILABLE TERMINATIONS

Suffix-IP      Tinned Nickel Pins

## 3. CAPACITY VS. CURRENT



## 4. STORAGE CHARACTERISTICS



EVE ENERGY CO., LTD.

Address: EVE Industrial Park, XiKeng Industrial zone, Huihuan Town, Huizhou, Guangdong, China

Operator: (86-752)260 6966    Fax: (86-752)260 6033

<http://www.evebattery.com>    Email: [sales@evebattery.com](mailto:sales@evebattery.com)

Latest version can be downloaded from the EVE website

Feb 2014